

20/21
PRODUCTS

Product Catalogue

Disc valve Diffuser

Type (DVD)



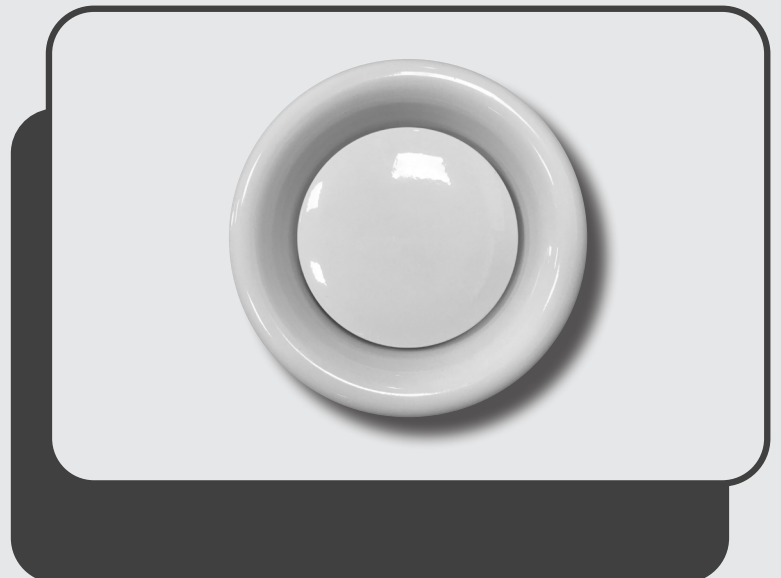
Khedr Trust
ALL AIR PRODUCTS

Disc valve Diffuser products are
manufactured by



“Your comfort is
our priority”

www.khedr-eg.com





Models

- DVD



Finish

- Standard Finish - White



Disc valve Diffuser

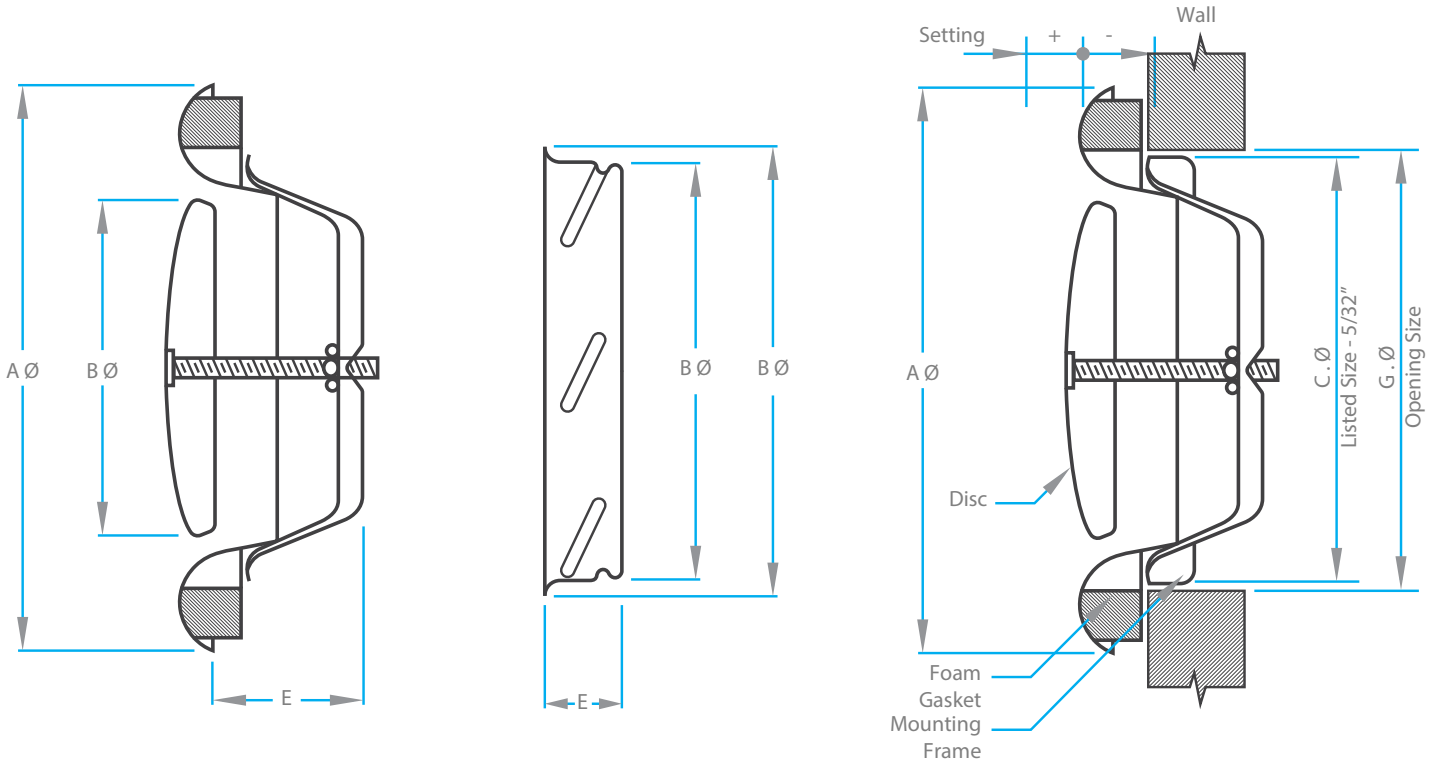
Model Design

Khedr Ceiling diffuser (DVD) are designed for ceiling-mounting applications .

Model Use

They are suitable for Exhaust applications especially for greasy damp air in areas such as toilets, washrooms and kitchens.

- Dimensions



Ø Nominal Size	Ø A	Ø B	Ø C	Ø D	Ø E	Ø F	G (Opening Size)
4"	5.39	2.95	3.86	5.12	1.58	1.10	4.125
6"	7.99	4.73	5.83	7.01	1.97	1.10	6.125
8"	9.84	6.30	7.80	9.13	2.56	1.10	8.125

Disc valve Diffuser products are manufactured by Khedr Trust Co.

- Performance data

Nominal Size \varnothing 4"

Setting	Air Flow (CFM)	15	20	25	30	35	40	45	50	60	70	80	90	100
-3/8"	SP	0.30	0.60	0.98										
	NC	<20	20	25										
-1/4"	SP		0.24	0.38	0.58	0.80	1.10							
	NC		<20	<20	23	25	26							
-1/8"	SP			0.22	0.32	0.47	0.60	0.80	0.95					
	NC			<20	<20	22	24	26	28					
0	SP				0.23	0.32	0.46	0.60	0.78	0.98	1.20			
	NC				<20	20	22	24	26	32	34			
1/8"	SP					0.22	0.28	0.40	0.52	0.64	0.84	1.15		
	NC					<20	<20	22	24	26	32	38		
1/4"	SP						0.20	0.28	0.34	0.45	0.58	0.80	1.05	
	NC						<20	<20	22	25	28	33	42	
3/8"	SP							0.20	0.28	0.34	0.47	0.60	0.82	1.05
	NC							<20	<20	23	25	29	38	45
1/2"	SP								0.18	0.27	0.33	0.40	0.60	0.80
	NC								<20	<20	25	26	32	38

Disc valve Diffuser products are manufactured by Khedr Trust Co.

Nominal Size \varnothing 6"

Setting	Air Flow (CFM)	30	35	40	50	60	70	80	90	100	120	140	160	180
-1/4"	SP	0.33	0.48	0.63	1.4									
	NC	<20	21	24	32									
-1/8"	SP		0.18	0.25	0.40	0.60	0.78	1.07						
	NC		<20	<20	21	25	31	34						
0	SP				0.24	0.33	0.42	0.59	0.78	1.00				
	NC				<20	20	23	26	34	40				
1/4"	SP							0.22	0.29	0.36	0.60	0.80	1.08	
	NC							<20	20	22	31	35	42	
1/2"	SP								0.21	0.26	0.40	0.56	0.76	0.98
	NC								<20	<20	24	28	35	45

Disc valve Diffuser products are manufactured by Khedr Trust Co.

Nominal Size \varnothing 8"

Setting	Air Flow (CFM)	40	50	60	70	80	100	120	140	160	180	200	220	240
-25/32"	SP	0.39	0.61	0.92										
	NC	22	31	35										
-19/32"	SP		0.21	0.31	0.42	0.55								
	NC		<20	20	23	26								
-25/64"	SP			0.16	0.23	0.30	0.48	0.72						
	NC			<20	<20	22	28	33						
-3-16"	SP						0.28	0.40	0.45	0.71	0.92			
	NC						22	26	30	34	38			
0	SP						0.17	0.27	0.30	0.46	0.61	0.74		
	NC						<20	23	26	31	36	38		
3/16"	SP							0.17	0.21	0.31	0.40	0.50	0.60	0.73
	NC							<20	23	26	30	32	36	38
25/64"	SP									0.25	0.31	0.38	0.48	0.58
	NC									23	26	28	32	35
19/32"	SP									0.19	0.25	0.28	0.33	0.42
	NC									<20	23	25	27	33
25/32"	SP										0.19	0.22	0.27	0.31
	NC										23	24	25	28
63/64"	SP											0.17	0.21	0.26
	NC											<20	24	25

Disc valve Diffuser products are manufactured by Khedr Trust Co.

- Selection Procedure

1. Determine the required CFM per each outlet as per cooling Load Calculation.
2. Determine the NC required.
3. Select the suitable size that give the required CFM & NC from performance data tables.

- Selection Procedure Example

1. Required 50 CFM as per cooling load calculations.
2. Required NC = 25
3. The size of shall be :
 - A. Size \varnothing 4, NC = 24 & Setting = 1/8".
 - B. Size \varnothing 4, NC = 22 & Setting = 1/4".
 - C. Size \varnothing 6, NC = 21 & Setting = -1/8".
 - D. Size \varnothing 8, NC = <20 & Setting = -19/32".

Nominal Size \varnothing 4"

Setting	Air Flow (CFM)	15	20	25	30	35	40	45	50
1/8"	SP					0.22	0.28	0.40	0.52
	NC					<20	<20	22	24
1/4"	SP						0.20	0.28	0.34
	NC						<20	<20	22

Disc valve Diffuser products are manufactured by Khedr Trust Co.

Nominal Size \varnothing 6"

Setting	Air Flow (CFM)	30	35	40	50
-1/4"	SP	0.33	0.48	0.63	1.4
	NC	<20	21	24	32
-1/8"	SP		0.18	0.25	0.40
	NC		<20	<20	21

Disc valve Diffuser products are manufactured by Khedr Trust Co.

Nominal Size \varnothing 8"

Setting	Air Flow (CFM)	40	50
-25/32"	SP	0.39	0.61
	NC	22	31
-19/32"	SP		0.21
	NC		<20

Disc valve Diffuser products are manufactured by Khedr Trust Co.

- How to order

Type	DVD	Disc Valve Diffuser
Setting	1/2"	-/+ " Inch"
Size	Ø 6"	Ø Inch"
Finish	1	0 Aluminum 1 White Color 2 Other Colors
Damper	0	0 Without Damper 1 With Damper

Disc valve Diffuser products are manufactured by Khedr Trust Co.

Other Products are provided by Khedr Trust Co.

Diffusers & Grills

Slot Linear Diffuser
Eye Ball Diffuser
Circular Ceiling Diffuser
Swirl Diffuser
Perforated Ceiling Diffuser
Jet Diffuser
Square Ceiling Diffuser
Disc Valve Diffuser
Linear Bar Grill
Supply / Return Grill
Door Grill

Louvers

Aluminum Louver
Sand Trap Louver

Dampers

Volume Damper
Fire Damper
Smoke Motorized Damper
Shutter Damper
Pressure Relief Damper

Special Parts

Sound Attenuator
Plenum Box

Duct Works

Galvanized Steel Duct
Black Steel Duct
Stainless Steel Duct
Spiral Duct
Flexible Duct
Canvas
Flanges
Flexible Duct Connector



Khedr Trust

ALL AIR PRODUCTS



Alqanater Alkhairia roads.Industrial Area. Behind Cocacola Co.. Cairo, Egypt

Mailing Address : P.O.Box 13621. Cairo 11511 - Egypt

Tel : +202 42452022

Mob : +2010 29999054 / +2010 29999056

+2010 29999057 / +2010 29999058

E-Mail : info@khedr-eg.com

 / khedr.co

www.khedr-eg.com

